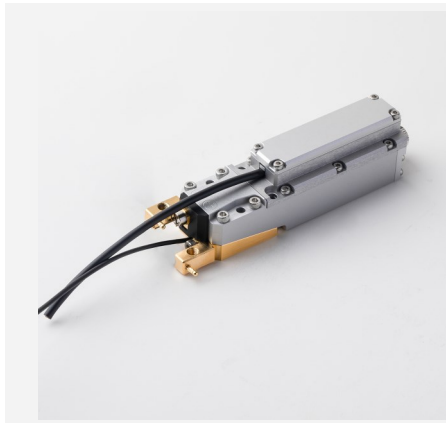


High Power Fiber Coupled Diode Laser LM Series (With PD, without Pilot Beam)



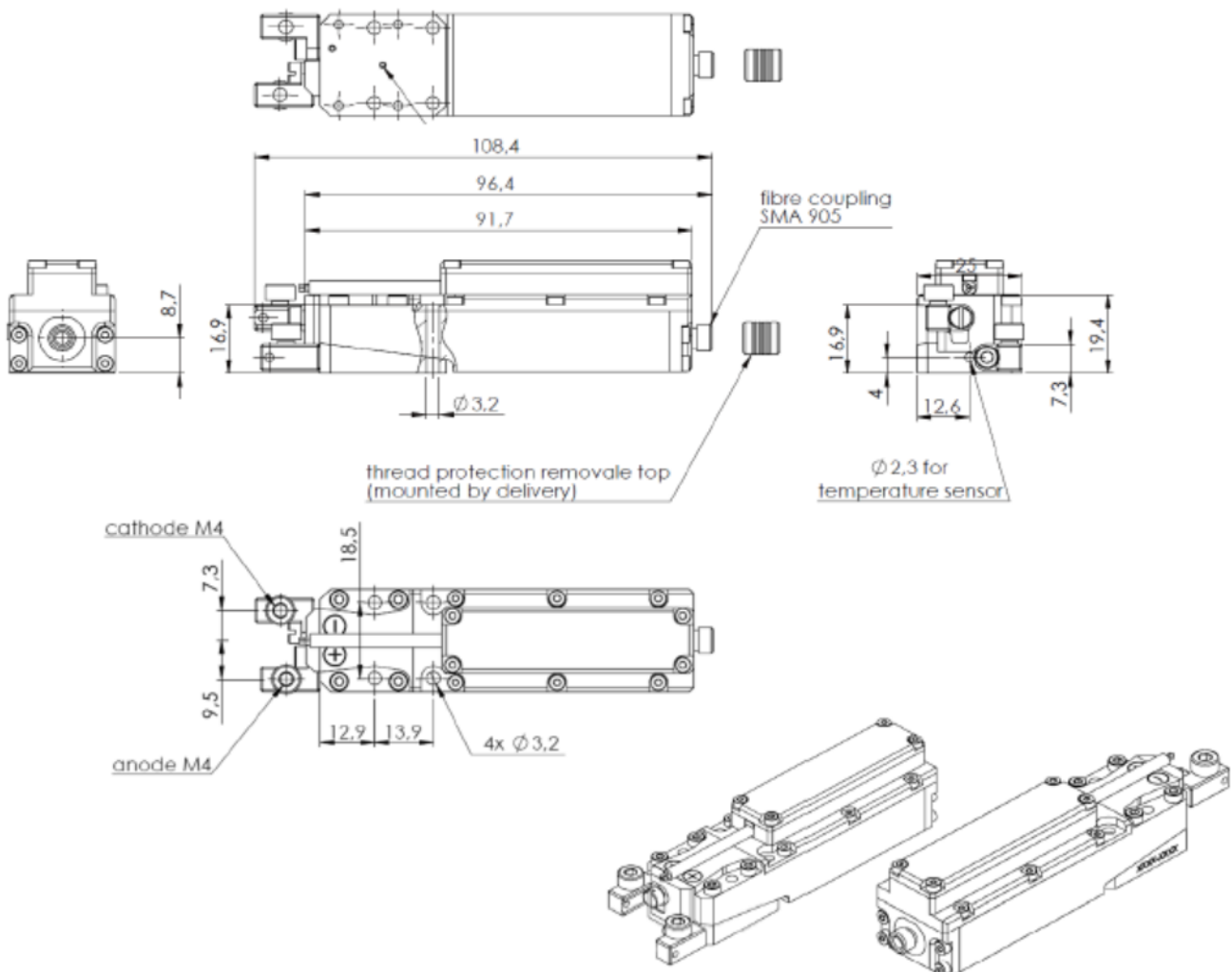
Features

- High brightness
- High E/O efficiency
- Compact housing
- Hermetically sealed housing
- Conduction Cooling
- Plug and play fiber connector

Applications

- Advanced Manufacturing
- Health
- Information Technology
- Scientific Research

Product Dimensions (mm)



Remark: The structure drawing is for reference only. Please feel free to contact us for any special requirements.

Product Specifications

Product Code	FCS000009 ²		FCS000008 ²		FCS000011 ²	
Part No. ¹	FL-LM2002-15-976-200		FL-LM2001-20-981-200		FL-LM2012-55-976-200	
Optical Data	Unit	Value	Value	Value	Value	Value
CW-nominal output power	W	15	20	55		
Centroid wavelength	nm	976	981	976		
Wavelength tolerance (±)	nm	1	1	1		
Spectral width (FWHM)	nm	≤1	≤1	≤1		
Wavelength Temp. drift	nm/°C	~0.01	~0.01	~0.01		
Wavelength stabilization		Yes (spectral efficiency ≥ 90%)	Yes (spectral efficiency ≥ 90%)	Yes (spectral efficiency ≥ 90%)		
Operation Conditions						
Nominal diode heat sink Temp.	°C	25	25	25		
Diode heat sink operation Temp. ³	°C	+15 ... +30	+15 ... +30	+15 ... +30		
Minimum heat sink capacity	W	50	70	130		
Electrical Data						
Max. operation current start of life	A	≤30	≤40	≤85		
Max. operation current end of life	A	≤36	≤50	≤102		
Typical threshold current	A	≤6	≤6	≤8		
Typical operation voltage	V	≤2	≤2	≤2		
Typical slope	W/A	≥0.7	≥0.8	≥0.7		
Typical E/O efficiency	%	≥33	≥33	≥38		
Fiber connection						
Fiber included		/	/	/		
Fiber core diameter	µm	200	200	200		
Numerical aperture		0.22	0.22	0.22		
Fiber optic connector		SMA905	SMA905	SMA905		
Fiber length	m	/	/	/		
Package						
Dimensions	mm ³	108.4×25×28	108.4×25×28	108.4×25×28		
Weight basic package	kg	0.35	0.35	0.35		
Storage Temp.	°C	-20 ... +60	-20 ... +60	-20 ... +60		
Additional Features						
High reflection bandwidth (> 99% S&P polarized)	nm	1030 ... 1130	1030 ... 1130	1030 ... 1130		
Temp. sensors		NTC & Pt100	NTC & Pt100	NTC & Pt100		
Monitor diode (driver: 5V)		Output signal: 0...2.5V	Output signal: 0...2.5V	Output signal: 0...2.5V		
Accessories package ⁴		Yes	Yes	Yes		
Measurement						
Fiber		non AR coated, 200µm	non AR coated, 200µm	non AR coated, 200µm		
Diode heat sink Temp.	°C	25	25	25		

¹ Part No. = Brand Code - Series - Power - Centroid Wavelength - Fiber Core Diameter.

² Typical customization of products.

³ Operation beyond recommended temperature may cause lifetime reduction or even damage to the product.

⁴ In the accessory package, the positive and negative electrodes of the "diode" need to be reversely connected to the negative and positive electrodes of the module; The insulation and thermal conductivity of the "carbon film" are very important to the installation and use of the laser, as the housing of the laser is

