

Fast Axis Collimator

Blue FAC 300



Features and Advantages

Acylindrical lens for the collimation of the fast axis of diode lasers.

The new revision has an increased power content of >92% within ± 1.4 mrad.

Product Specifications

Specification Data	Unit	Value
Material		FL-Blue
Width (W)	mm	0.5 ± 0.05
Thickness (T)	mm	0.405 ± 0.01
Clear aperture	mm ²	3.5×0.43
Refractive index n @ 450 nm		1.762
Effective focal length (EFL) @ 450 nm	mm	0.3
Back focal length (BFL) @ 450 nm	mm	0.07
Numerical aperture (NA)		0.75
Transmission	%	> 99
Power within an angle of ± 1.4 mrad ⁽¹⁾	%	> 92

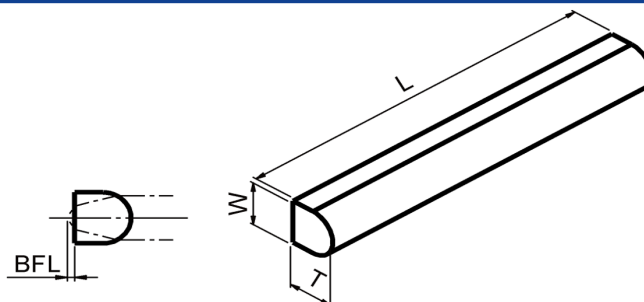
Product Code	ZLE002527	
Specification Data ⁽³⁾	Unit	
Length (L)	mm	4.0 ± 0.05
AR-Coating	nm	430 - 470
Surface imperfections (DIN ISO 10110-7)		5/2x0.025; C2x0.1; L2x0.025; E ⁽²⁾

⁽¹⁾ Valid for an emitter-height of 0.7 μ m and no smile of the laser diode; the design of FAC300 is diffraction limited: $(FW/e^2, \text{Gaussian})$ remaining div. \sim emitter height / EFL(FAC)

⁽²⁾ Chipping on short edge 0.2, chipping on long edge 0.03.

⁽³⁾ Customized design, dimensions & coating on request.

Product Drawing (mm)



Rev 06 | Updated September 25, 2023 | RoHS compliant 2011/65/EU and 2015/863/EU