

Water Cooled QCW Side Pumped Module

SP18 Series



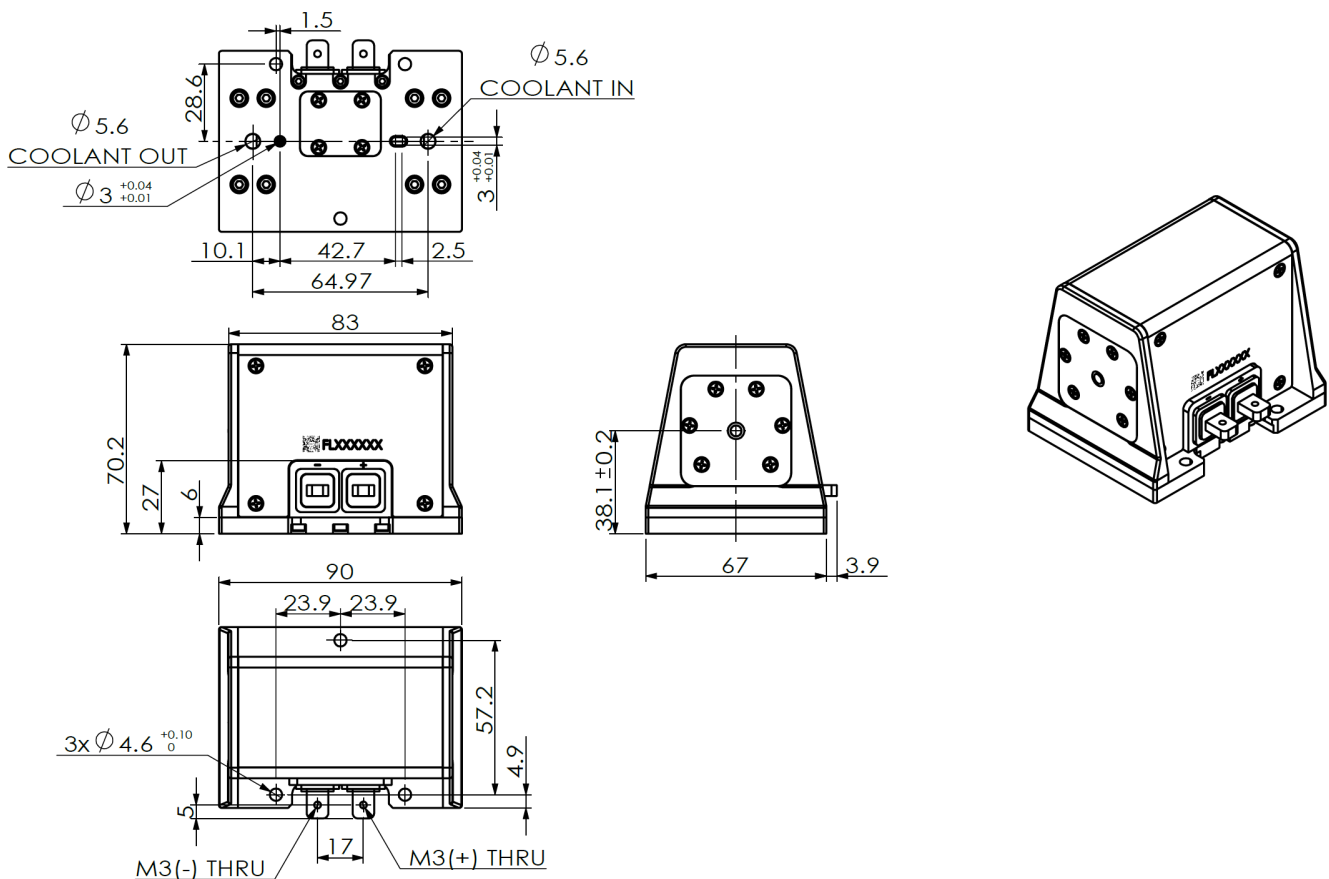
Features

- High peak power & High Gain
- Long lifetime
- High Fluorescence Uniformity
- High stability
- Compact Size

Applications

- Pumping
- Medical
- Industry
- Research

Product Dimensions (mm)



Remark: The structure drawing is for reference only. Please feel free to contact us for any special requirements.

Product Specifications

Product Code	(Typical Customization)
Part No.	FL-SP18-25-5000-808(Q)

General Data	Unit	Value
Number of Bars		25
Rod Type		Nd:YAG, 1% doped
Rod Diameter	mm	4
Rod Length	mm	83
Product size (length x width x height)	mm	90 x 67 x 70.2
Product weight	Kg	1.15

Optical Data		
Operation Type		QCW
Peak Power per Bar	W	≤200
Pumping Wavelength	nm	808±2
Pumping Length	mm	50
Output Power ¹	W	>90@1064nm
Stored energy	J	>0.28@1064nm
Small Signal Gain (Amplification Factor)	-	>30@1064nm

Electrical Data		
Operating Current	A	≤200
Operating Voltage	V	≤50
Pulse Duration	μs	≤240
Repetition Rate	Hz	200

Thermal Data		
Operating Temperature	°C	25
Water Pressure	MPa	≤0.5
Water Flow	L/min	≥9
Storage Temperature ²	°C	-55 ~ 85

¹Output power in a short flat-flat cavity, cavity length:300mm±5mm, output coupler: 50%.

²Non-condensing environment is required for storage and operation below ambient dew point.

