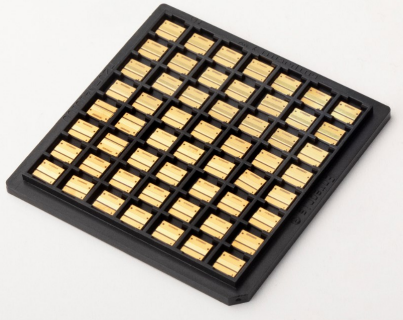


## Advanced Materials

### FL-AMC series



#### Features

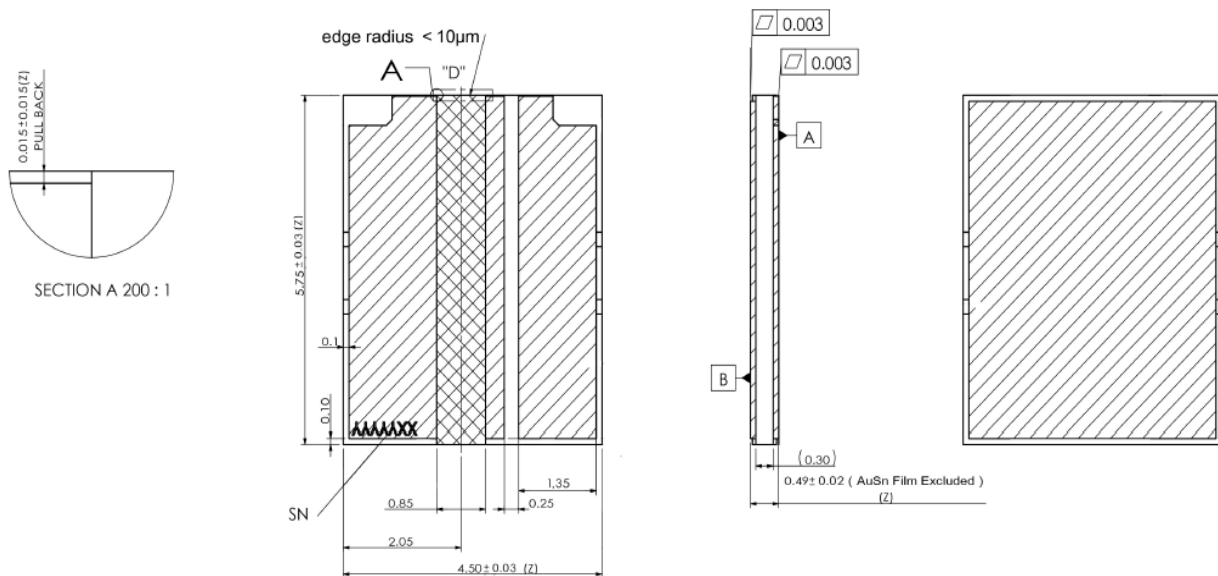
- AuSn pre-deposited
- Copper clad layer
- Low thermal resistance
- CTE matched for bonding
- High reliability

#### Applications

- Industrial application
- Scientific Research and Engineering

### Product Dimensions (mm)

#### FL-AMC-4557



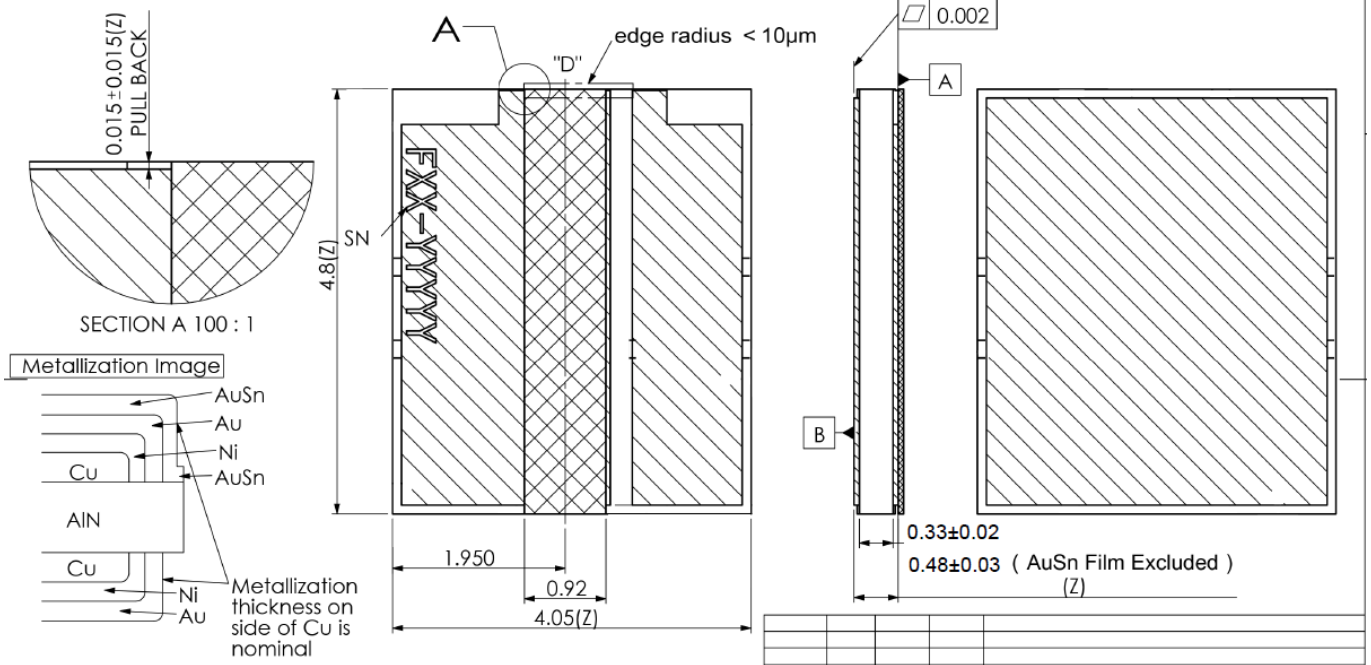
**Remark:** The structure drawing is for reference only. Please feel free to contact us for any special requirements.

**Product Dimensions (mm)**

**FL-AMC-4048**

本文件和所有附件的版权均归西安炬光科技股份有限公司所有。任何公司或个人未经授权,不得以任何目的泄露、传播、使用。接收方非法使用可能导致民事或者刑事后果。  
This drawing and all attachment contain confidential and proprietary information which shall not be disclosed, transferred or used for any other purpose without authorization from Focuslight Technologies. The recipient who makes an illegal action might be prosecuted under the criminal and/or civil law and might be liable for the payment of damages.

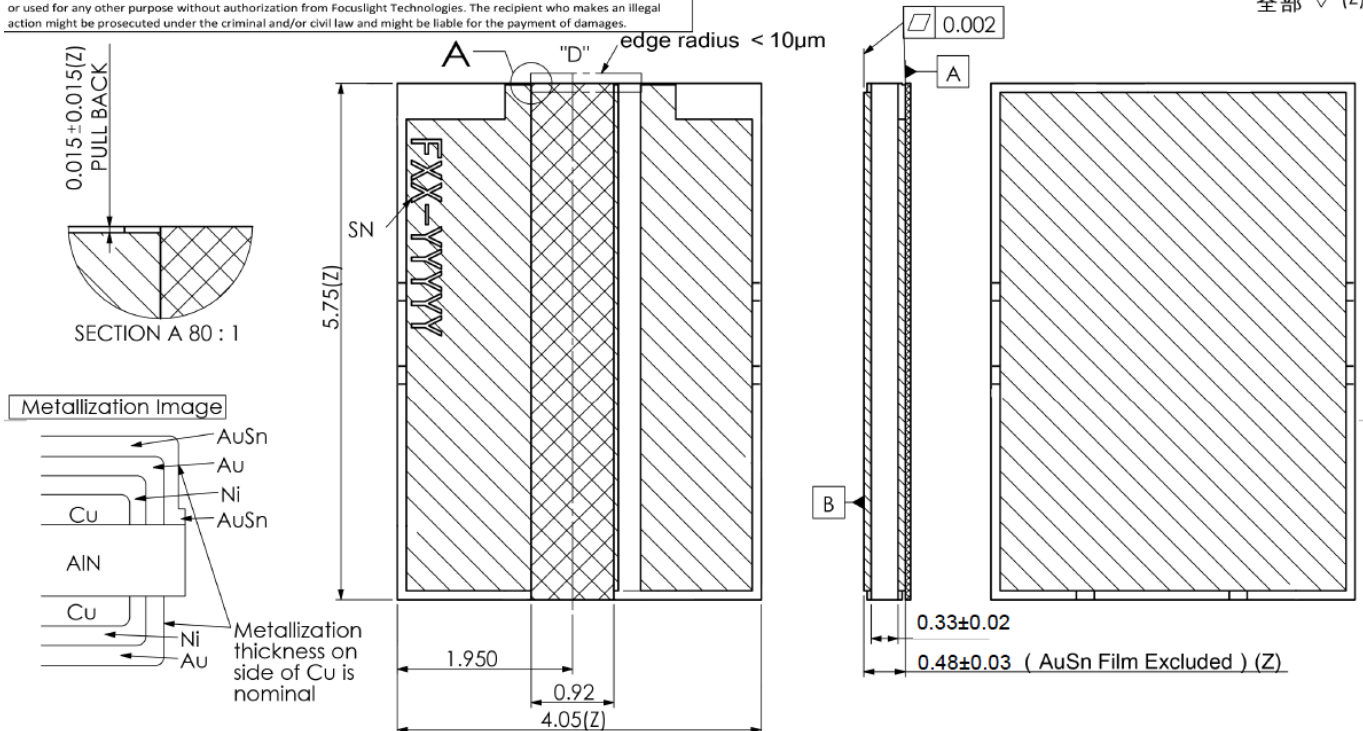
0.4μm  
全部 √(Z)



**FL-AMC-4057**

本文件和所有附件的版权均归西安炬光科技股份有限公司所有。任何公司或个人未经授权,不得以任何目的泄露、传播、使用。接收方非法使用可能导致民事或者刑事后果。  
This drawing and all attachment contain confidential and proprietary information which shall not be disclosed, transferred or used for any other purpose without authorization from Focuslight Technologies. The recipient who makes an illegal action might be prosecuted under the criminal and/or civil law and might be liable for the payment of damages.

0.4μm  
全部 √(Z)



**Remark:** The structure drawing is for reference only. Please feel free to contact us for any special requirements.

## Product Specifications

Product Code	AMC000002	AMC000003	AMC000005
Part No. <sup>1</sup>	FL-AMC-4557	FL-AMC-4048	FL-AMC-4057

Dimension Parameters	Unit	Value	Value	Value
Length	mm	5.75+/-0.05	4.80+/-0.05	5.75+/-0.05
Width	mm	4.50+/-0.05	4.05+/-0.05	4.05+/-0.05
Thickness	mm	0.49+/-0.03	0.48+/-0.03	0.48+/-0.03
Pullback	μm	15+/-15	15+/-15	15+/-15
Au Thickness	μm	≥1.0	≥1.0	≥1.0
AuSn Thickness	μm	4.5+/-1.0	4.5+/-1.0	4.5+/-1.0

Performance Parameters				
Melting Point	°C	280-320	280-320	280-320
Roughness	μm	≤0.4	≤0.4	≤0.4
Flatness	μm	≤3.0	≤2.0	≤2.0
Thermal Resistance	K/W	≤2.0	≤2.0	≤2.0

Storage Condition <sup>2</sup>				
Storage Environment	\	Nitrogen Environment	Nitrogen Environment	Nitrogen Environment
Environment Temperature	°C	22+/-3	22+/-3	22+/-3
Relative Humidity	%	20-30	20-30	20-30
Warranty	month	12	12	12

<sup>1</sup>Part No. = Brand Code - Series - Specification.

<sup>2</sup>Exceeding storage conditions may cause product performance reduction.