

Conduction Cooled Vertical Stack Diode Laser

Vsilk 2-1200 plus



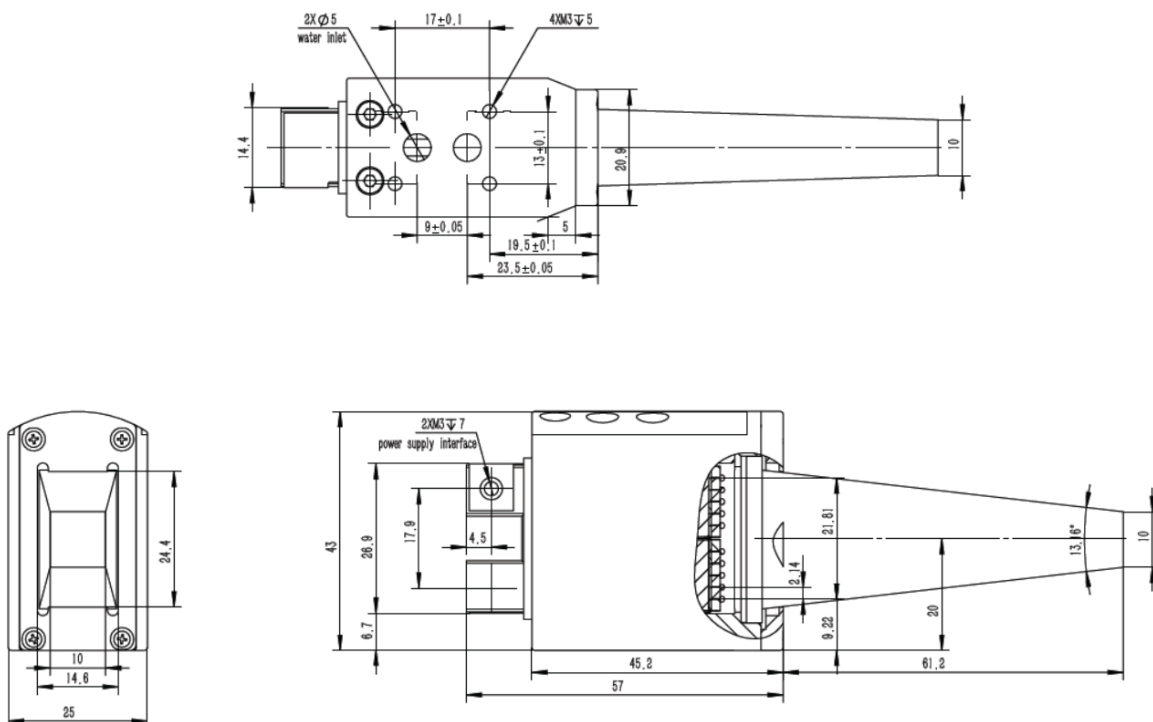
Features

- High effective energy
- High beam quality
- High reliability
- Small size
- Light weight

Applications

- Hair removal

Product Dimensions (mm)



Remark: The structure drawing is for reference only. Please feel free to contact us for any special requirements.

Product Specifications

Product Code

HAR300096-1

Part No. ¹

FL-Vsilk2-1200-808-P

Optical Data ²	Unit	Value
Centroid Wavelength	nm	808
Wavelength Tolerance	nm	± 15
Output Power after LD ³	W	1200
Output Power after waveguide ³	W	1000
Number of bars	-	10
Spot Size ⁴	mm	10 × 10
Wavelength Temp. Coefficient	nm/°C	~ 0.28

Electrical Data ²

Operation Current	A	≤ 115
Threshold Current	A	≤ 25
Operating Voltage	V	≤ 20
Slope Efficiency per bar	W/A	≥ 1.0
Power Conversion Efficiency	%	≥ 47
Max. Pulse Width	ms	400
Max. Duty Cycle	%	30

Miscellaneous Data

Operating Temperature ⁵	°C	22 ~ 28
Coolant	-	Distilled water or pure water
Flow Rate	L/min	3 ~ 4

¹ Part No. = Brand Code - Series - Power - Centroid Wavelength - P (with waveguide).

² Data at 25°C unless otherwise stated.

³ Reduced lifetime if used above nominal operating conditions.

⁴ Output from the waveguide.

⁵ A non-condensing environment is required for storage and operation below ambient dew level.



Recommended Operation Condition

Vsilk 2-1200plus Energy Table													
Energy(J)		Frequency(Hz)										Iop	
		1	2	3	4	5	6	7	8	9	10		≈106A
Pulse Width (ms)	10	10	10	10	10	10	10	10	10	10	10		≈91A
	20	20	20	20	20	20	20	20	20	20	20		≈55A
	30	30	30	30	30	30	30	30	30	30	30	Water Temperature T=25±3°C Flow Rate: 3~4L/min	
	40	40	40	40	40	40	40	40					
	50	49	49	49	49	49	49						
	60	51	51	51	51	51							
	70	59	59	59	59								
	80	68	68	68									
	90	76	76										
	100	85											
	200	85											
	300	127											
400	170												