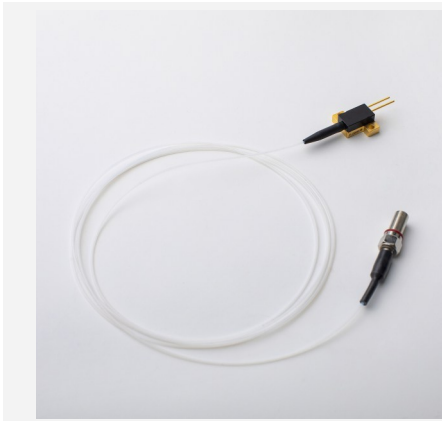


High Power Fiber Coupled Diode Laser

FCSE08 Series



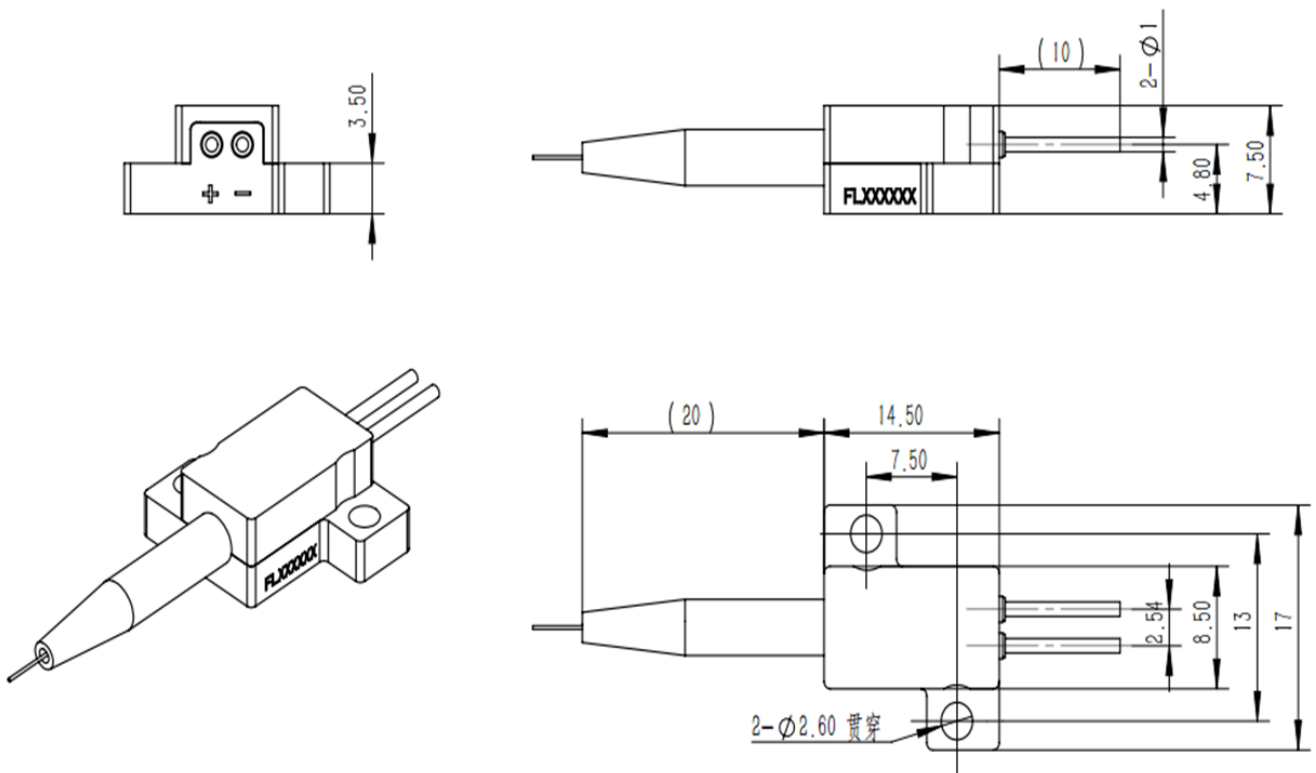
Features

- High brightness
- High power
- Compact housing
- Hermetically sealed housing
- Conduction Cooling

Applications

- Advanced Manufacturing
- Health
- Information Technology
- Scientific Research

Product Dimensions (mm)



Remark: The structure drawing is for reference only. Please feel free to contact us for any special requirements.

Product Specifications

Product Code	FCE000026	FCE000028
Part No. ¹	FL-FCSE08-7-808-200	FL-FCSE08-8-915-105

Optical Data	Unit	Value	
CW-nominal output power	W	7	8
Centroid wavelength	nm	808	915
Wavelength tolerance (±)	nm	3	5
Spectral width (FWHM)	nm	≤3	≤4
Wavelength Temp. drift	nm/°C	~0.28	~0.32
Feedback Protection(1040nm-1100nm)	dB	/	30

Fiber connection			
Fiber included		Yes	Yes
Fiber core diameter	μm	200	105
Numerical aperture		0.22	0.15
Fiber optic connector ²		SMA905(SF 8°)	SMA905(SF 8°)
Fiber length	m	1.5±0.1	1.5±0.1

Operation Conditions			
Nominal diode heat sink Temp.	°C	25	25
Diode heat sink operation Temp. ³	°C	+20 ... +30	+20 ... +30
Minimum heat sink capacity	W	20	25

Electrical Data			
Operation current	A	≤9.2	≤10
Typical threshold current	A	≤1.8	≤0.9
Typical operation voltage	V	≤2.2	≤2
Typical slope	W/A	≥0.9	≥0.65
Typical E/O efficiency	%	≥40	≥40

Package			
Dimensions	mm ³	44.5×17×7.5	44.5×17×7.5
Weight basic package	g	15	15
Storage Temp.	°C	-20 ... +80	-20 ... +80

Measurement			
Fiber		AR coated, 200μm	AR coated, 105μm
Diode heat sink Temp.	°C	25	25

¹ Part No. = Brand Code - Series - Power - Centroid Wavelength - Fiber core diameter.

² SF 8°: Flat end 8°.

³ Operation beyond recommended temperature may cause lifetime reduction or even damage to the product.

