
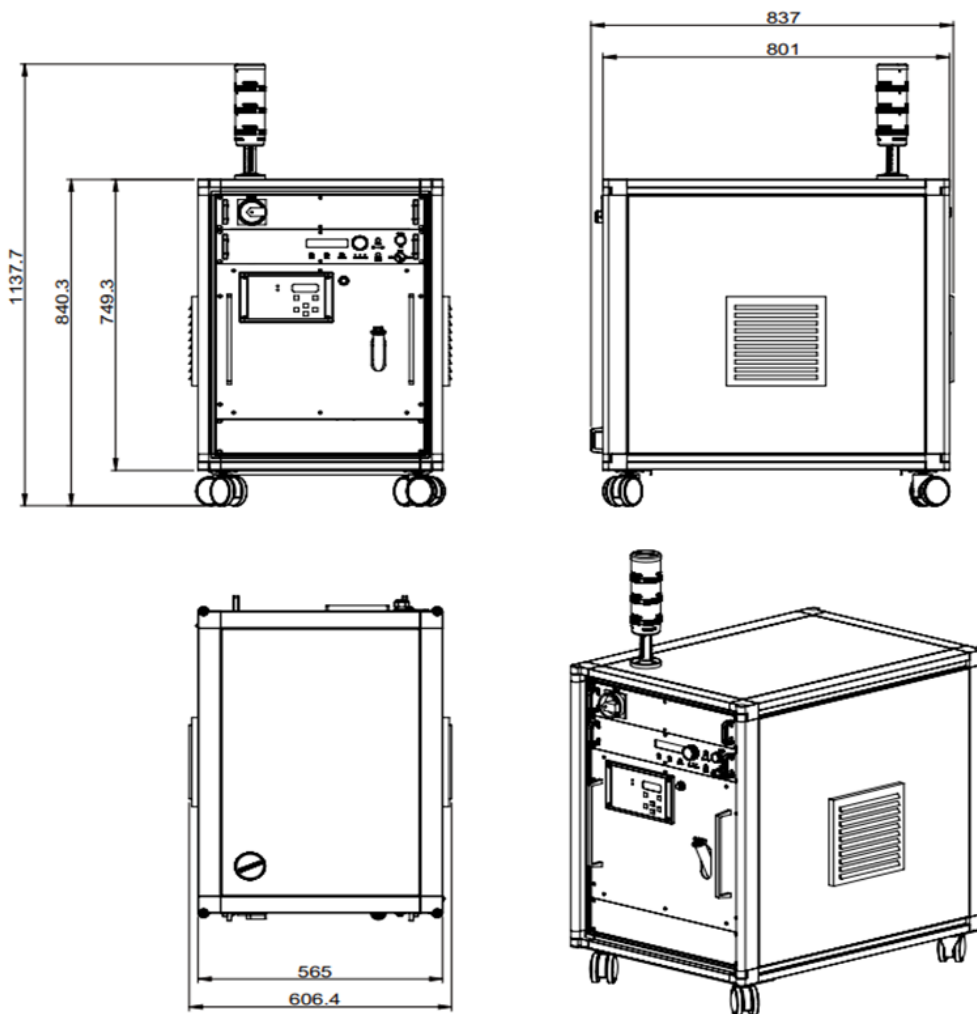


# Industrial Laser System for Material Processing

## Activation Series

	<h3>Features</h3>	<h3>Applications</h3>
	<ul style="list-style-type: none"> <li>• Turnkey laser system</li> <li>• Easy integrated into production machines interface</li> <li>• Reliable control and protection functions</li> <li>• Closed-loop process control</li> </ul>	<ul style="list-style-type: none"> <li>• Material processing</li> <li>• Laser annealing</li> <li>• Laser reflow soldering</li> <li>• Laser bonding</li> <li>• Plastic welding</li> <li>• Laser non-contact heating</li> </ul>

### Product Dimensions (mm)



**Remark:** The structure drawing is for reference only. Please feel free to contact us for any special requirements.

## Product Specifications

Product Code	ACT000008	ACT000057	ACT000058
Part No. <sup>1</sup>	LM-AE120-808-F200-3	LM-AE120-808-F200-5	LM-AE120-808-F200-10

General Data	Unit	Value		
Rack Type	-	19"	19"	19"
Dimensions (height × width × depth)	mm	1140 × 610 × 840	1140 × 610 × 840	1140 × 610 × 840
Max. Weight	kg	100	100	100

Optical Data	Unit	Value		
CW-nominal Output Power	W	120	120	120
Wavelength	nm	808	808	808
Fiber Diameter	µm	200	200	200
Numerical Aperture	-	0.22	0.22	0.22
Fiber plug Type	-	SMA905	SMA905	SMA905
Fiber Length	m	3	5	10

Electrical Data	Unit	Value		
Operating Voltage	V	220 ± 10	220 ± 10	220 ± 10
Max. Operation Current	A	10	10	10
Supply Frequency	Hz	50 - 60	50 - 60	50 - 60
Number of Leads	-	1P + N + PE	1P + N + PE	1P + N + PE
Power Plug Type	-	CEE	CEE	CEE

Thermal Data	Unit	Value		
Operating Temperature	°C	15 ~ 35	15 ~ 35	15 ~ 35
Storage Temperature	°C	15 ~ 60	15 ~ 60	15 ~ 60
Chiller Type	-	Water	Water	Water
Cooling Capacity	W	750	750	750
Laser Circuit Water Pressure	bar	3.5	3.5	3.5
Laser Circuit Water Flow	L/min	4	4	4
Laser Circuit Water Type	-	Distilled Water	Distilled Water	Distilled Water

Other Features <sup>2</sup>			
Pilot Beam	●	●	●
Key Main Switch	●	●	●
Pyrometer Control	○	○	○
Power-meter Control	○	○	○
Internal Pulse Modus	●	●	●
Laser Process Head	○	○	○

<sup>1</sup>Part No. = Brand Code - Series & Power - Wavelength - Fiber Diameter - Fiber Length

<sup>2</sup>“●” = available; “○” = optional.



## Product Specifications

Product Code	ACT000009	ACT000061	ACT000062
Part No. <sup>1</sup>	LM-AE120-808-F400-3	LM-AE120-808-F400-5	LM-AE120-808-F400-10

General Data	Unit	Value		
Rack Type	-	19"	19"	19"
Dimensions (height × width × depth)	mm	1140 × 610 × 840	1140 × 610 × 840	1140 × 610 × 840
Max. Weight	kg	100	100	100

Optical Data	Unit	Value		
CW-nominal Output Power	W	120	120	120
Wavelength	nm	808	808	808
Fiber Diameter	μm	400	400	400
Numerical Aperture	-	0.22	0.22	0.22
Fiber plug Type	-	SMA905	SMA905	SMA905
Fiber Length	m	3	5	10

Electrical Data	Unit	Value		
Operating Voltage	V	220 ± 10	220 ± 10	220 ± 10
Max. Operation Current	A	10	10	10
Supply Frequency	Hz	50 - 60	50 - 60	50 - 60
Number of Leads	-	1P + N + PE	1P + N + PE	1P + N + PE
Power Plug Type	-	CEE	CEE	CEE

Thermal Data	Unit	Value		
Operating Temperature	°C	15 ~ 35	15 ~ 35	15 ~ 35
Storage Temperature	°C	15 ~ 60	15 ~ 60	15 ~ 60
Chiller Type	-	Water	Water	Water
Cooling Capacity	W	750	750	750
Laser Circuit Water Pressure	bar	3.5	3.5	3.5
Laser Circuit Water Flow	L/min	4	4	4
Laser Circuit Water Type	-	Distilled Water	Distilled Water	Distilled Water

Other Features <sup>2</sup>			
Pilot Beam	●	●	●
Key Main Switch	●	●	●
Pyrometer Control	○	○	○
Power-meter Control	○	○	○
Internal Pulse Modus	●	●	●
Laser Process Head	○	○	○

<sup>1</sup>Part No. = Brand Code - Series & Power - Wavelength - Fiber Diameter - Fiber Length

<sup>2</sup>“●” = available; “○” = optional.



## Product Specifications

<b>Product Code</b>	<b>ACT000010</b>	<b>ACT000060</b>
Part No. <sup>1</sup>	LM-AE120-980-F200-3	LM-AE120-980-F200-10

General Data	Unit	Value	
Rack Type	-	19"	19"
Dimensions (height × width × depth)	mm	1140 × 610 × 840	1140 × 610 × 840
Max. Weight	kg	100	100

Optical Data	Unit	Value	
CW-nominal Output Power	W	120	120
Wavelength	nm	980	980
Fiber Diameter	µm	200	200
Numerical Aperture	-	0.22	0.22
Fiber plug Type	-	SMA905	SMA905
Fiber Length	m	3	10

Electrical Data	Unit	Value	
Operating Voltage	V	220 ± 10	220 ± 10
Max. Operation Current	A	10	10
Supply Frequency	Hz	50 - 60	50 - 60
Number of Leads	-	1P + N + PE	1P + N + PE
Power Plug Type	-	CEE	CEE

Thermal Data	Unit	Value	
Operating Temperature	°C	15 ~ 35	15 ~ 35
Storage Temperature	°C	15 ~ 60	15 ~ 60
Chiller Type	-	Water	Water
Cooling Capacity	W	750	750
Laser Circuit Water Pressure	bar	3.5	3.5
Laser Circuit Water Flow	L/min	4	4
Laser Circuit Water Type	-	Distilled Water	Distilled Water

Other Features <sup>2</sup>		
Pilot Beam	●	●
Key Main Switch	●	●
Pyrometer Control	○	○
Power-meter Control	○	○
Internal Pulse Modus	●	●
Laser Process Head	○	○

<sup>1</sup>Part No. = Brand Code - Series & Power - Wavelength - Fiber Diameter - Fiber Length

<sup>2</sup>“●” = available; “○” = optional.

